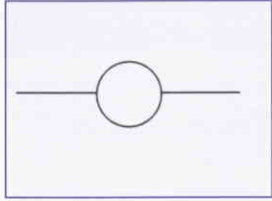
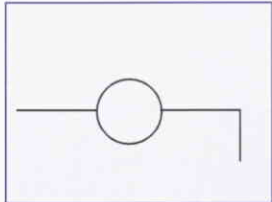


HYDRAULIC SYMBOLS



Straight terminal



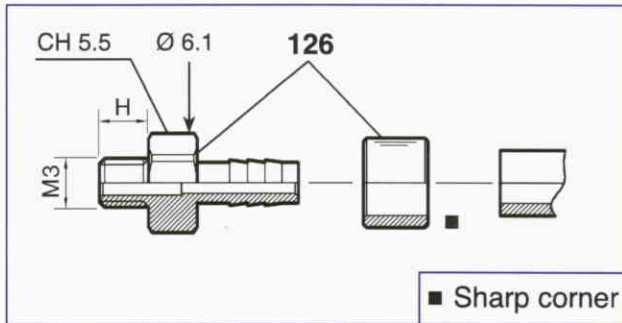
90° curved terminal



Scale 2 : 1

Real sizes

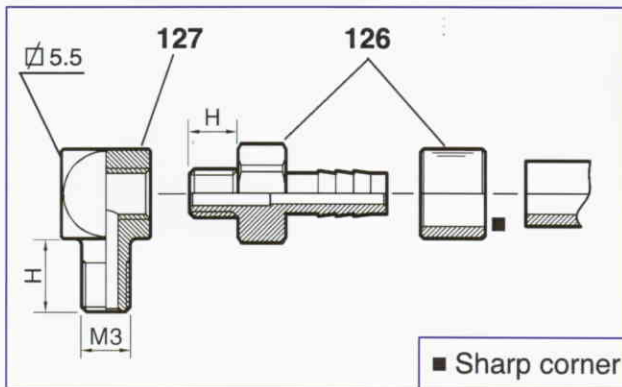
SAW-TOOTHED STRAIGHT CONNECTION WITH STOP RING



126 - RR 425C55.305
RR 425LC55.305

H=3mm
H=4,5mm

90° TERMINAL REDUCTION - M3 X 0,5



126 - RR 425C55.305

H=3mm

127 - RS 39C55.305
RS 39LC55.305

H=3mm
H=4,5mm

USABLE WITH PIPE Ø 4X0,75 NYLON - RILSAN

SLIDING BALL SCREWS

